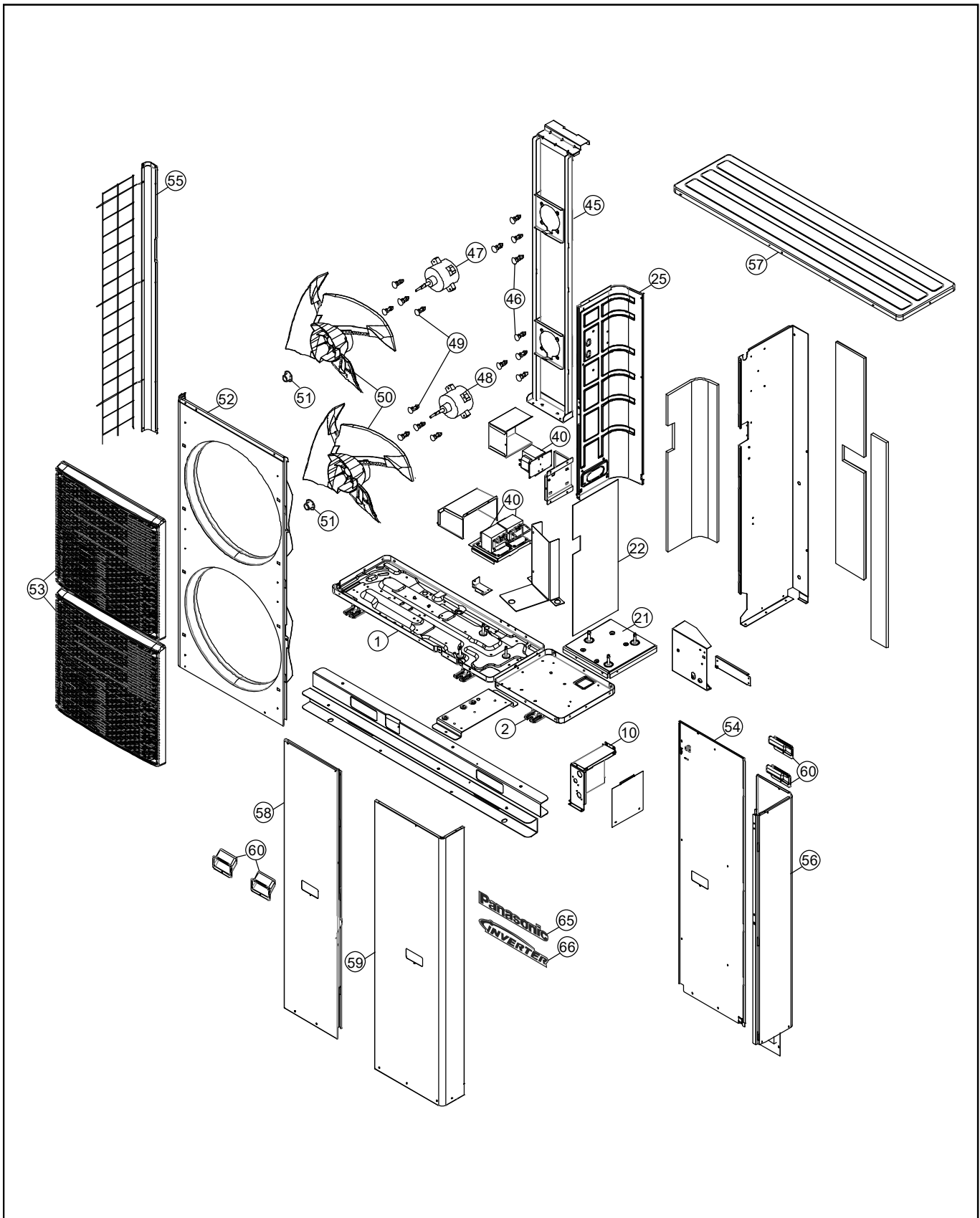
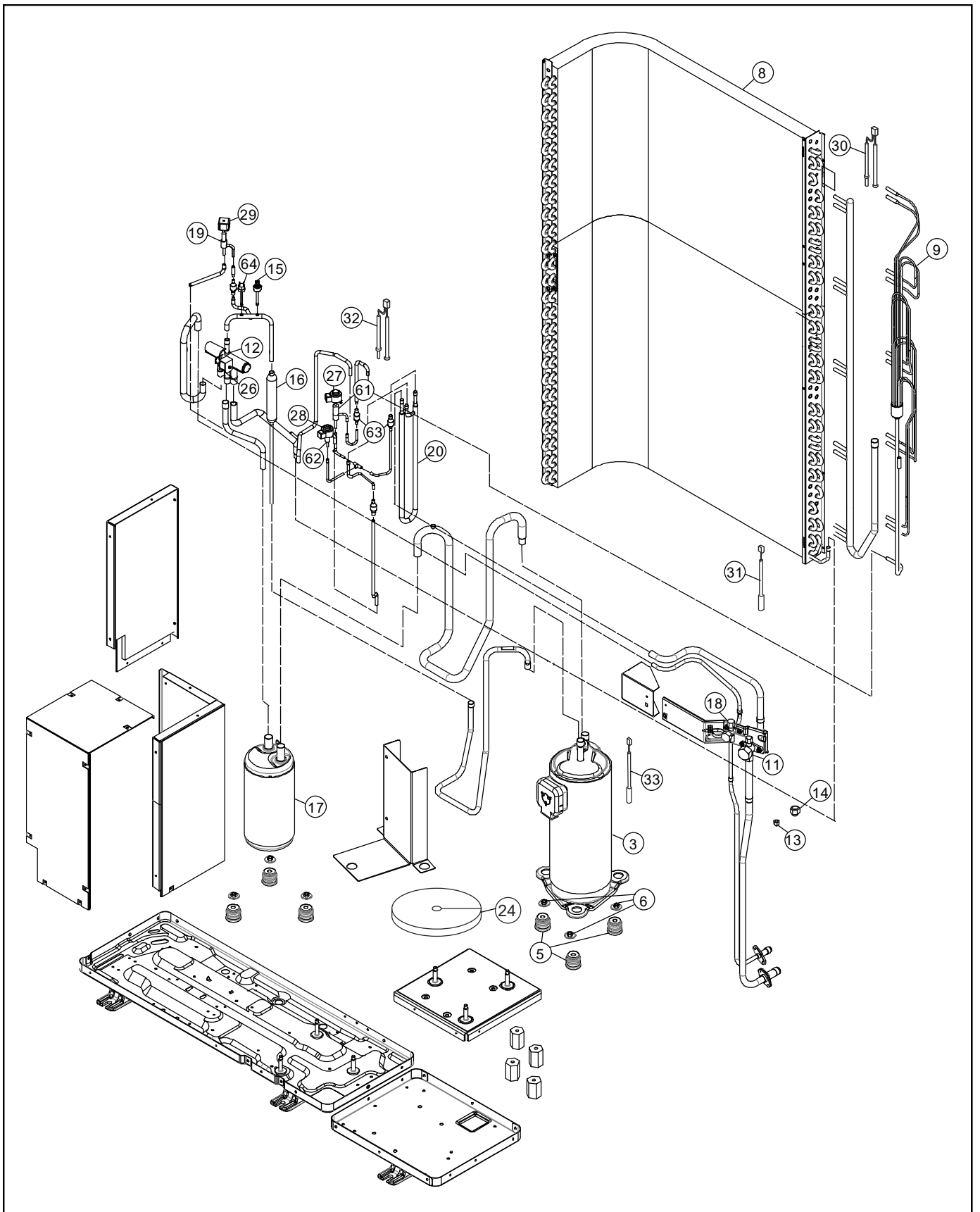


20.2.2 WH-UQ16HE8

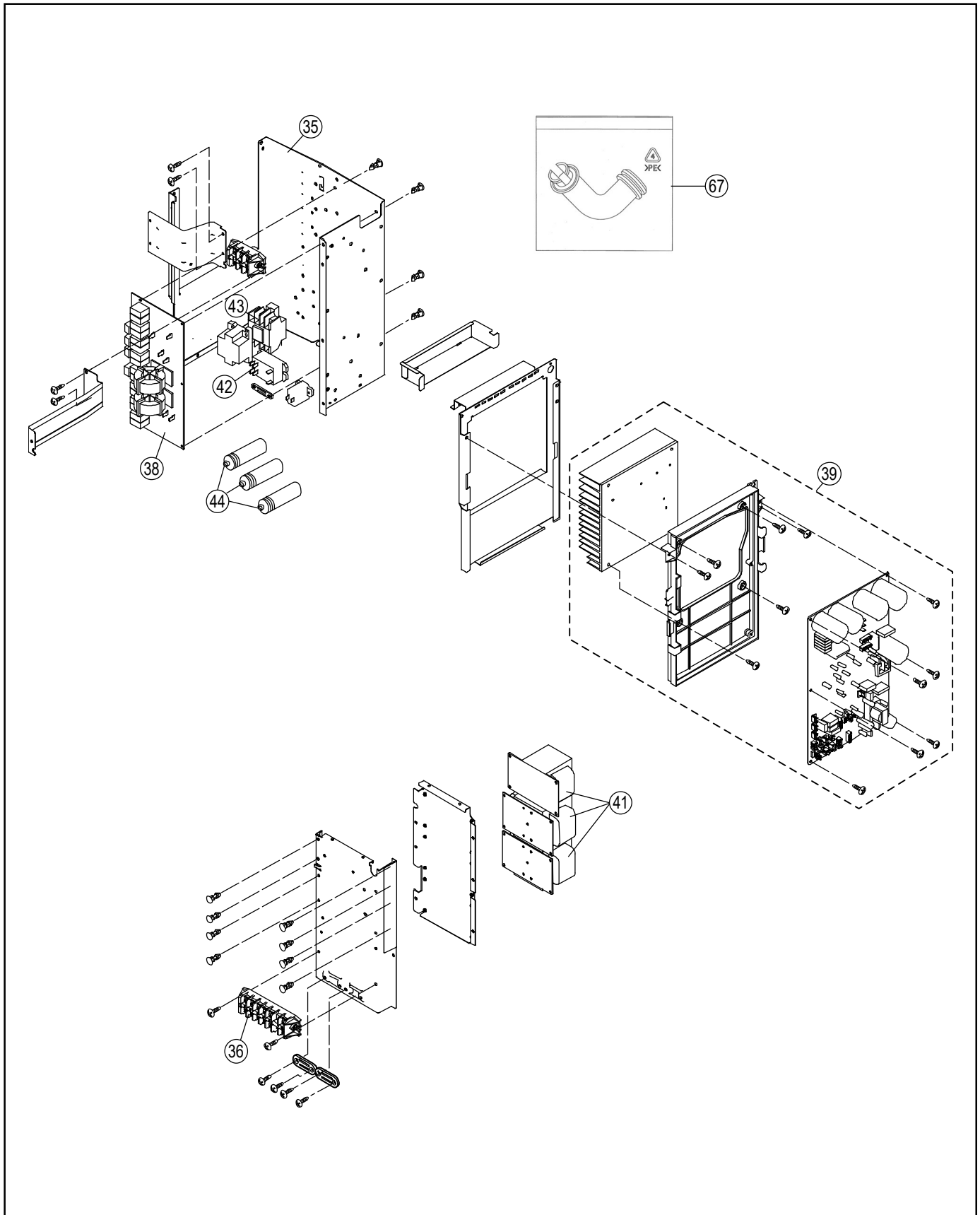


Note:

- The above exploded view is for the purpose of parts disassembly and replacement.
- The non-numbered parts are not kept as standard service parts.



- Note:**
- The above exploded view is for the purpose of parts disassembly and replacement.
 - The non-numbered parts are not kept as standard service parts.



Note:

- The above exploded view is for the purpose of parts disassembly and replacement.
- The non-numbered parts are not kept as standard service parts.

<Model: WH-UQ16HE8>

SAFETY	REF. NO.	DESCRIPTION & NAME	QTY.	WH-UQ16HE8	REMARK
	1	BASE PAN ASS'Y	1	ACXD52K00240	
	2	BASE PAN ASS'Y	1	ACXD52K00250	
△	3	COMPRESSOR	1	5JD650XBA22	O
	5	BUSHING - COMPRESSOR MOUNT	3	CWH50055	
	6	NUT - COMPRESSOR MOUNT	3	CWH561049	
	8	CONDENSER COMPLETE	1	ACXB32C0001	
	9	TUBE ASSY (CAP.TUBE)	1	CWT07K1742	
	10	HOLDER – COUPLING	1	ACXH35-00070	
	11	3 - WAYS VALVE (GAS)	1	CWB011700	O
	12	4 - WAYS VALVE	1	CWB001046	O
	13	FLARE NUT	1	CWT251061	
	14	FLARE NUT	1	CWT251064	
	15	HIGH PRESSURE SENSOR	1	CWA501463	O
	16	DISCHARGE MUFFLER	1	CWB121014	
	17	ACCUMULATOR	1	CWB131026A	
	18	3 - WAYS VALVE	1	ACXB01-00420	O
	19	2 - WAYS VALVE	1	CWB021637	O
	20	SUB COOLER TUBE HEAT	1	CWB361003	O
	21	SOUND PROOF MATERIAL	1	ACXG30-00720	
	22	SOUND PROOF MATERIAL	1	ACXG30-00800	
	24	SOUND PROOF MATERIAL	1	CWG302266	
	25	SOUND PROOF BOARD	1	CWH151243	
△	26	V-COIL COMPLETE (4-WAY VALVE)	1	CWA43C2169J	O
△	27	V-COIL COMPLETE (MAIN EXPANSION VALVE)	1	CWA43C2602	O
△	28	V-COIL COMPLETE (BYPASS EXPANSION VALVE)	1	CWA43C2335	O
△	29	V-COIL COMPLETE (2 WAY VALVE)	1	CWA43C2607	O
	30	SENSOR-COMP. (OUTDOOR AIR TEMP SENSOR)	1	CWA50C2730	O
	31	SENSOR-COMP. (DEFROST TEMP SENSOR)	1	CWA50C2577	O
	32	SENSOR-COMP. (BYPASS AND EVA EXIT TEMP)	1	CWA50C3165	O
	33	SENSOR-COMP. (DISCHARGE TEMP SENSOR)	1	ACXA50C00810	O
	35	CONTROL BOARD CASING	1	CWH10K1228	
△	36	TERMINAL BOARD ASS'Y	1	CWA28K1214	O
△	38	ELECTRONIC CONTROLLER - NF	1	CWA747735	O
△	39	ELECTRONIC CONTROLLER (MAIN)	1	ACXA73C21830R	O
△	40	REACTOR	3	G0C213J00001	O
△	41	REACTOR	3	G0C353J00001	O
△	42	ELECTRO MAGNETIC SWITCH	1	K6C2AGA00002	O
△	43	ELECTRO MAGNETIC SWITCH	1	K6C4E8A00001	O
△	44	CAPACITOR	3	DS451605DPQB	O
	45	FAN MOTOR BRACKET	1	CWD54K1024	
	46	SCREW - FAN MOTOR BRACKET	8	CWH551040J	
△	47	FAN MOTOR (UPPER)	1	EHDS83CAC	O
△	48	FAN MOTOR (LOWER)	1	EHDS83DAC	O
	49	SCREW - FAN MOTOR MOUNT	8	CWH551323	
	50	PROPELLER FAN ASSY	2	CWH00K1006	
	51	NUT	2	CWH561092	
	52	CABINET FRONT PLATE	1	CWE061098A	
	53	DISCHARGE GRILLE	2	CWE201073	
	54	CABINET REAR PLATE - COMPLETE	1	ACXE02C00050	
	55	CABINET SIDE PLATE ASSY	1	CWE04K1023A	
	56	CABINET SIDE PLATE - COMPLETE	1	ACXE04C00470	
	57	CABINET TOP PLATE CO.	1	CWE03C1105	
	58	CABINET FRONT PLATE CO.	1	ACXE06C00150	

SAFETY	REF. NO.	DESCRIPTION & NAME	QTY.	WH-UQ16HE8	REMARK
	59	CABINET FRONT PLATE CO.	1	ACXE06C00160	
	60	HANDLE	4	CWE161010	
	61	EXPANSION VALVE (1)	1	CWB051049	O
	62	EXPANSION VALVE (2)	1	CWB051029	O
	63	STRAINER	2	CWB111032	
	64	PRESSURE SWITCH	1	CWA101007	O
	65	PANASONIC BADGE	1	CWE373439	
	66	INVERTER BADGE	1	CWE373441	
	67	ACCESSORY CO. (DRAIN ELBOW)	1	CWG87C900	

Note:

- All parts are supplied from PAPAMY, Malaysia (Vendor Code: 00029488).
- "O" marked parts are recommended to be kept in stock.